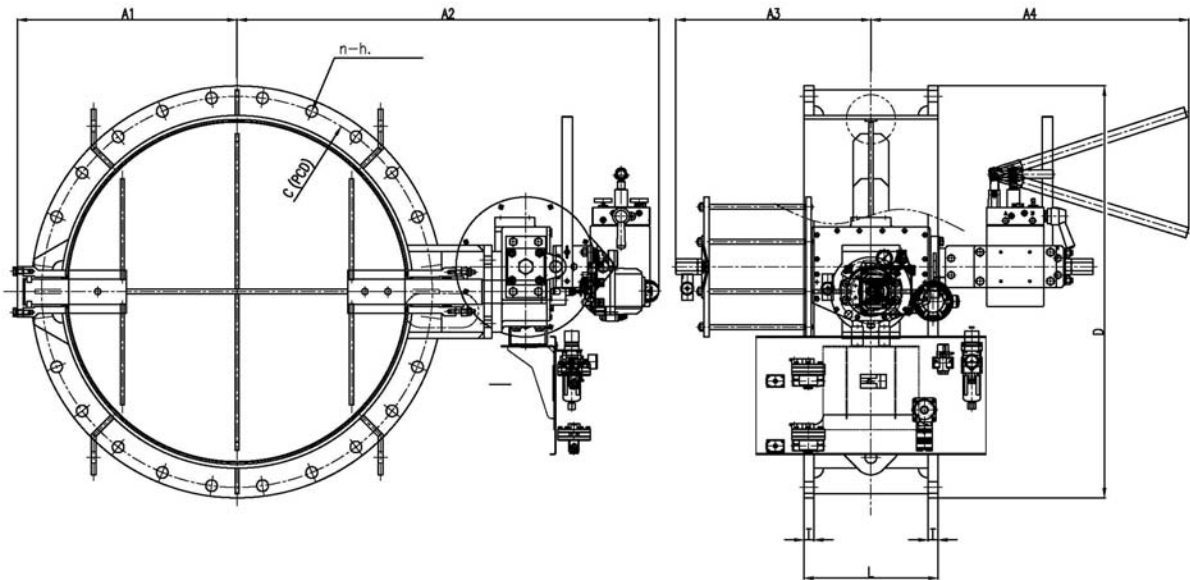


TYPE CBT,CBC (Control Butterfly Valve)

DIMENTION TABLE



CBC : Seat Clearance

CBT : Seat Contact

(Unit : mm)

DN	L	D	T	n	h	A1	A2	A3	A4
600	267	795	30	24	33	500	900	480	800
700	292	905	30	24	33	520	1000	490	800
800	250/318	1020	30	28	33	574	1110	510	830
900	330	1120	30	28	33	820	1250	600	900
1000	410	1235	32	28	39	900	1350	700	900
1100	450	1345	32	28	39	970	1600	750	1000
1200	470	1465	32	32	39	1050	1800	800	1000
1350	530	1630	38	36	46	1170	1900	850	1050
1500	530	1795	42	40	46	1270	1900	900	1150

주 기 : 플랜지 규격 및 밸브 면간거리는 수요자에 따라 다른 규격을 적용할 수 있습니다.

Note : Flange rating and Face to Face dimension, other standards are available on request.

## LEAKAGE RATE

SEAT TYPE		Clearance Type / CBC	Contact Type / CBT
Leakage Rate	3"	Rated Cv X 5%	Rated Cv X 0.3%
	4"~10"	Rated Cv X 3.5%	Rated Cv X 0.2%
	12"~18"	Rated Cv X 3%	Rated Cv X 0.15%
	20"~28"	Rated Cv X 2%	Rated Cv X 0.15%
	32"~	Rated Cv X 1.5%	Rated Cv X 0.1%

## Characteristic Curve

